

SS22AY-SS220AY Schottky Rectifier

Feature

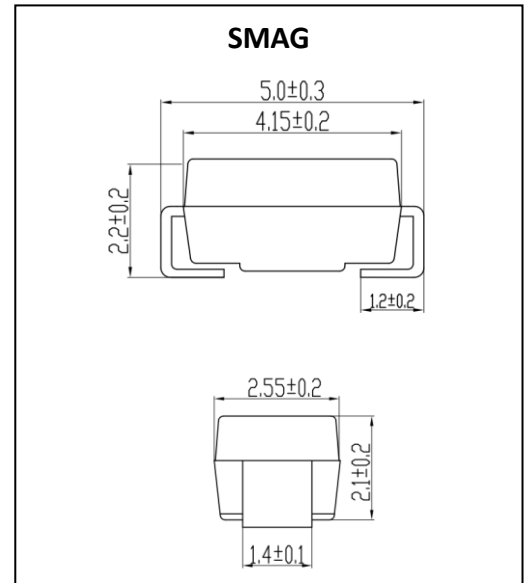
- Low power losses, high efficiency
- Ideal for automated placement
- Guardring for overvoltage protection
- High forward surge capability

Application

- Rectifier

Marking

- SS2X
X: From 2 To 20



ABSOLUTE MAXIMUM RATINGS (T_A=25°C unless otherwise noted)

Parameter	Symbol	SS2XY							Unit
		2	4	6	8	10	15	20	
Repetitive Peak Reverse Voltage	V _{RRM}	20	40	60	80	100	150	200	V
DC Blocking Voltage	V _{DC}	20	40	60	80	100	150	200	V
Maximum RMS Voltage	V _{RMS}	14	28	42	56	70	105	140	V
Maximum Average Forward Output Current	I _{F(AV)}	2.0							A
Peak Forward Surge Current, 8.3ms Single Half-Sine-Wave, T _J =25°C	I _{FSM}	50							A
Rating For Fusing (t<8.3ms)	I ² t	10.4							A ² sec
Junction Temperature	T _J	-55 ~ +125			-55 ~ +150				°C
Storage Temperature	T _{STG}	-55 ~ +150							°C

ELECTRICAL CHARACTERISTICS (T_A=25°C unless otherwise noted)

Parameter	Symbol	Test Condition	SS2XY						Unit
			2	4	6	8	10	15	
Peak Forward Voltage	V _F	I _F = 1A	0.55	0.70	0.85	0.90			V
Peak Reverse Current	I _{RRM1}	V _{RM} =	0.5		0.1				mA
	I _{RRM2}	V _{RRM}	10		5.0				
Typical Thermal Resistance ¹	R _{θJA}		65						°C/W
	R _{θJL}		20						°C/W

Note:

1. Units mounted on P.C.B. with 5.0 x 5.0 mm land areas.

Typical Characteristics

Fig.1-Forward Current Derating Curve

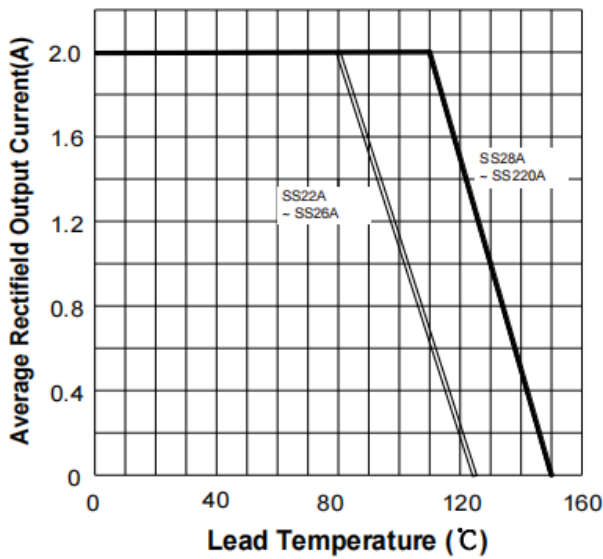


Fig.2- Surge Current Derating Curve

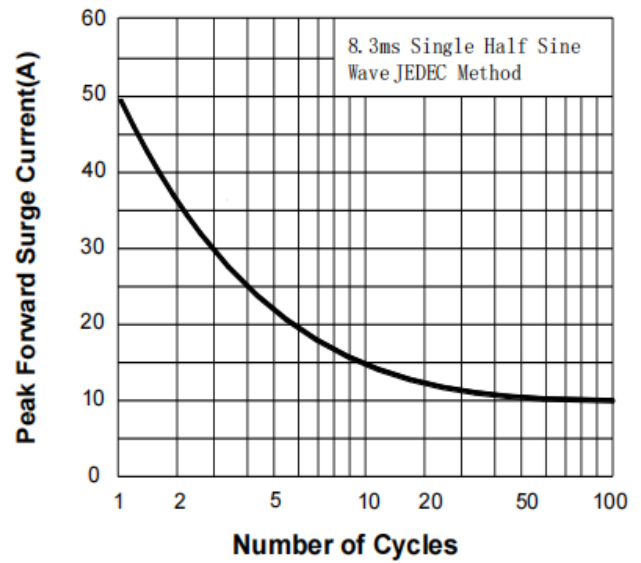


Fig.3- Typical Forward Voltage Characteristic

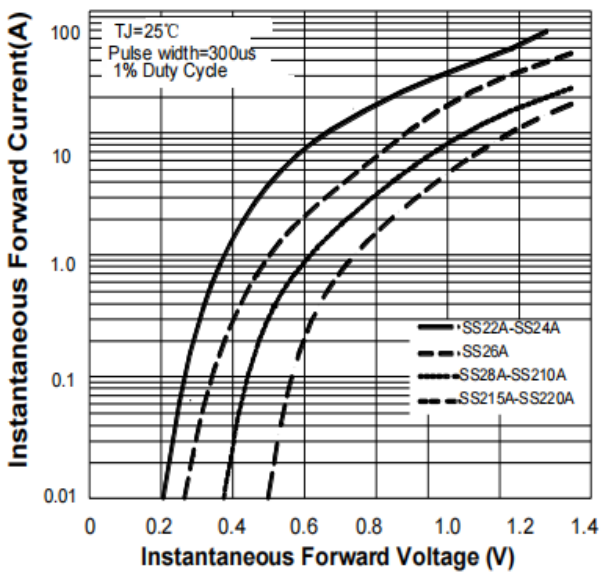
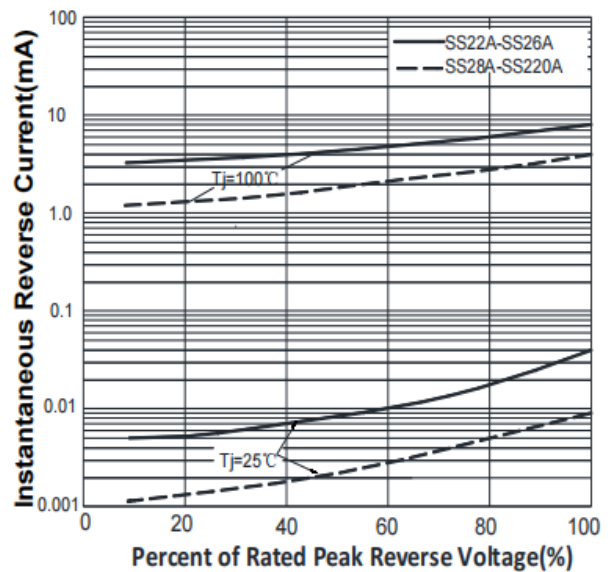


Fig.4- Typical Reverse Characteristic



Attention:

- GreenPower Electronics reserves the right to improve product design function and reliability without notice.
- Any and all semiconductor products have certain probability to fail or malfunction, which may result in personal injury, death or property damage. Customer are solely responsible for providing adequate safe measures when design their systems.
- GreenPower Electronics products belong to consumer electronics or other civilian electronic products.